

freeway

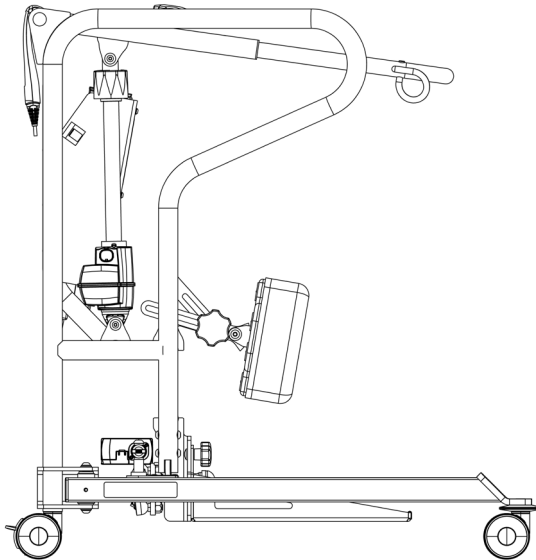
SA180C

STAND AID



SPARE PARTS
MANUAL

1. Contents



Description	Page(s)
Spare Parts Summary	3
Part Code Detail	4-9
Notes	10-11
Contacts	12



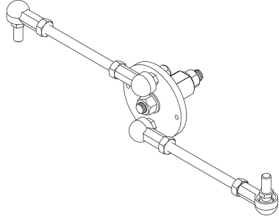
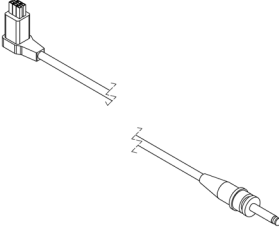

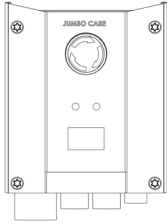
2. Spare Parts Summary

Part Code	Description
119910	Leg Adjustment Kit Assembly
119105	Leg Actuator Lead (750mm)
123100	4 Way Handset (Battery & Service LED)
123106	4 Way Control Box (LCD & Data Logging)
119900	LH Leg Assembly
119901	RH Leg Assembly
119904	SA180C Base Assembly
119908	Lift Actuator Kit
119909	Leg Actuator Kit
119905	SA180C Control Bracket Assembly
119906	SA180C Upper Handle Assembly
119017	SA180C Bearing Insert Assembly
119907	SA180C Kneepad Assembly
119902	SA180C Foot Tray Assembly
119911	Front Castor Kit (Pair)
119903	Rear Castor Kit (Pair)
119117	Lift Actuator Cable Lock
510005	Battery Pack (2.0Ah Lead Acid)
510091	Mains Snap Lead
510092	Charger Lead (UK Plug)
107088	Lift Actuator Lead (500mm)
999066	Freeway SA180C User Manual

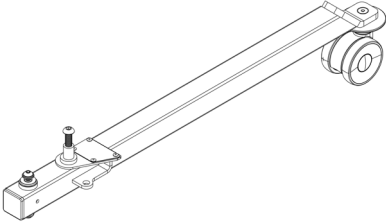
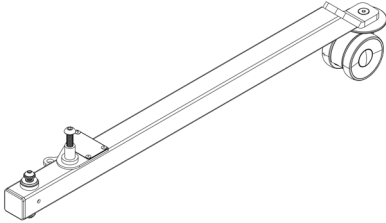
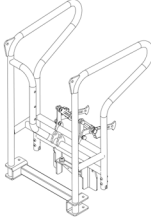
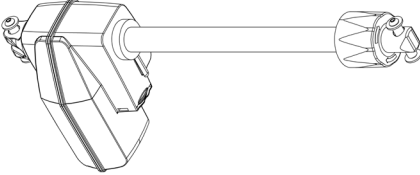
PRODUCT VARIATIONS

- 119200 - Freeway SA180C

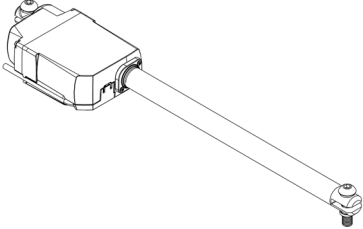

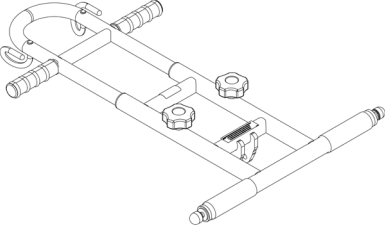
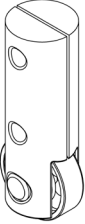
3. Part Code Detail

	<p>Leg Adjustment Kit Assembly 119910</p>
	<p>Leg Actuator Lead (750mm) 119105</p>
	<p>4 Way Handset (Battery & Service LED) 123100</p>
	<p>4 Way Control Box (LCD & Data Logging) 123106</p>

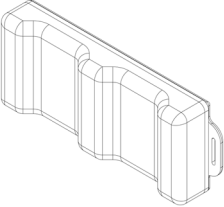
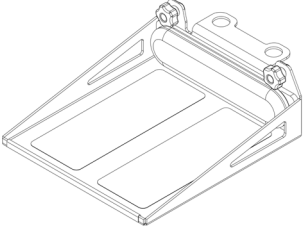
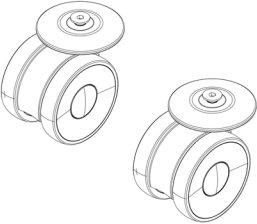
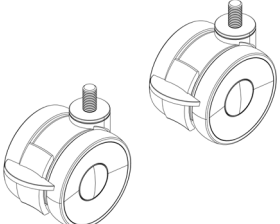
Part Code Detail

	<p>LH Leg Assembly 119900</p>
	<p>RH Leg Assembly 119901</p>
	<p>SA180C Base Assembly 119904</p>
	<p>Lift Actuator Kit 119908</p>

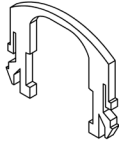
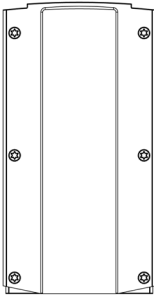
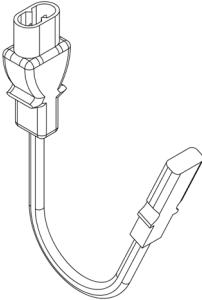
Part Code Detail

	<p>Leg Actuator Kit 119909</p>
	<p>SA180C Control Bracket Assembly 119905</p>
	<p>SA180C Upper Handle Assembly 119906</p>
	<p>SA180C Bearing Insert Assembly 119017</p>


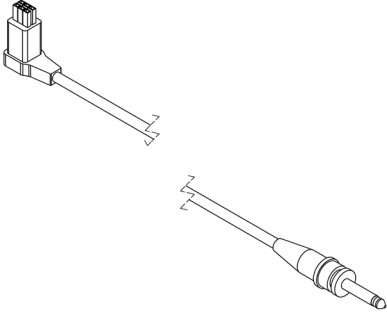

Part Code Detail

 A line drawing of a kneepad assembly, consisting of three rectangular, padded sections connected by a central strap with a buckle.	<p>SA180C Kneepad Assembly 119907</p>
 A line drawing of a foot tray assembly, which is a rectangular tray with a raised front edge and two mounting brackets on the sides.	<p>SA180C Foot Tray Assembly 119902</p>
 A line drawing of a pair of front castors, showing two wheels with a central hub and a mounting bracket.	<p>Front Castor Kit (Pair) 119911</p>
 A line drawing of a pair of front castors, showing two wheels with a central hub and a mounting bracket, similar to the previous kit but with a different mounting design.	<p>Front Castor Kit (Pair) 119903</p>

Part Code Detail

	<p>Lift Actuator Cable Lock 119117</p>
	<p>Battery Pack (2.0Ah Lead Acid) 510005</p>
	<p>Mains Snap Lead 510091</p>

Part Code Detail

	<p>Charger Lead (UK Plug) 510092</p>
	<p>Lift Actuator Lead (500mm) 107088</p>
 <p>USER MANUAL</p>	<p>SA180C User Manual 999066</p>



4. Notes



Notes



5. Contacts

DEALER CONTACT DETAILS

MANUFACTURER CONTACT DETAILS

Unit 1, Tir Llwyd Industrial Estate, St Asaph Avenue, Kinmel Bay,
Conwy, United Kingdom, LL18 5JZ

Telephone: +44 (0)1924 840100
www.prismmedical.co.uk

DISCLAIMER

While every effort has been made to ensure the accuracy of information contained in this manual, no liability can be accepted by Prism Medical UK for any errors or omissions. Prism Medical UK operates a policy of continuous improvement. Specifications and other data are subject to change without notice.

prism**medical**uk
a prism**healthcare** company

UK
CA



CE