

mackworth
essentials

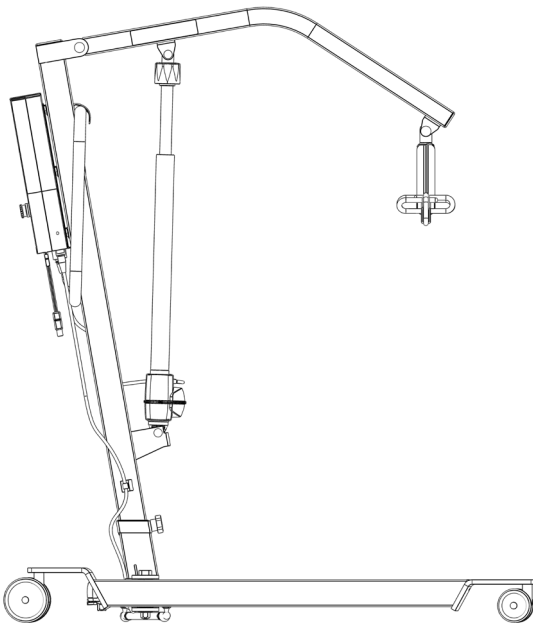
180

MOBILE HOIST



SPARE PARTS MANUAL

1. Contents



Description	Page(s)
Spare Parts Summary	3
Part Code Detail	4-8
Notes	9-11
Contacts	12

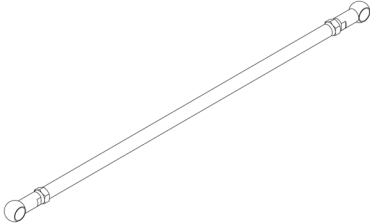
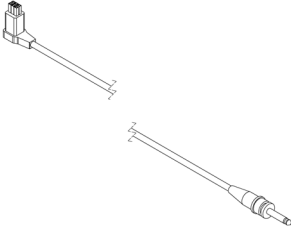

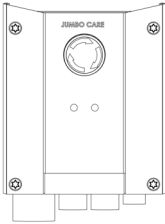
2. Spare Parts Summary

Part Code	Description
123007	Leg Rod Assembly
123082	Leg Actuator Lead (1250mm)
123104	4 Way Handset (Standard)
123956	4 Way Control Box (Standard) Kit
123905	LH Leg Assembly
123906	RH Leg Assembly
123907	Leg Actuator Kit
123908	Lift Actuator Kit
123909	Mast Fixing Kit
123910	Front Castor Kit (Pair) - Type 1
123911	Rear Castor Kit (Pair) - Type 1
123958	Front Castor Kit (Pair) - Type 2
123959	Rear Castor Kit (Pair) - Type 2
123904	Essentials 180 Base Assembly
123901	Essentials 180 Boom Assembly
123902	Essentials 180 Carry Bar Assembly
123903	Essentials 180 Mast Assembly
300900	QRS Carry Bar Kit Assembly
510005	Battery Pack (2.9Ah Lead Acid)
510091	Mains Snap Lead
510092	Charger Lead (UK Plug)
107088	Lift Actuator Lead (500mm)
999051	Essentials 180 User Manual

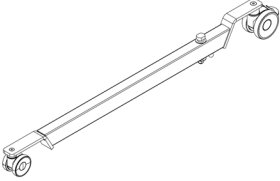
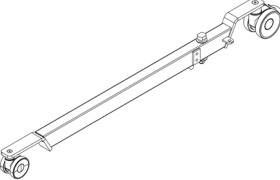
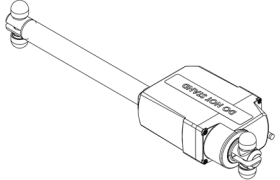

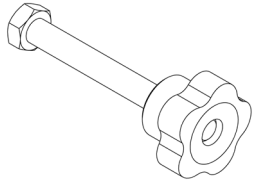
PRODUCT VARIATIONS

- 123400 - Mackworth Essentials 180
- 123401 - Mackworth Essentials 180 - QRS

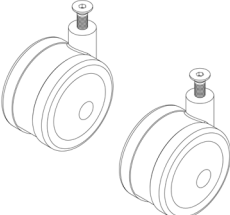
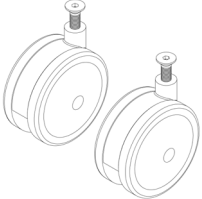
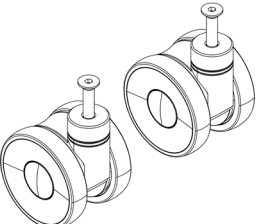
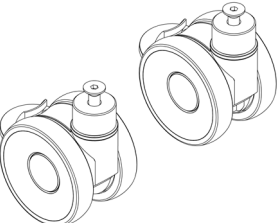
3. Part Code Detail

	<p>Leg Rod Assembly 123007</p>
	<p>Leg Actuator Lead (1250mm) 123082</p>
	<p>4 Way Handset (Standard) 123104</p>
	<p>4 Way Control Box (Standard) Kit 123956</p>

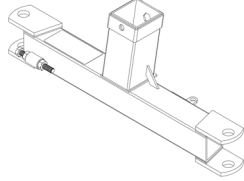
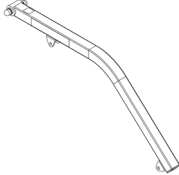
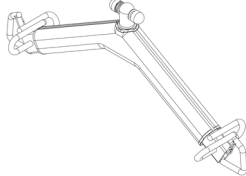
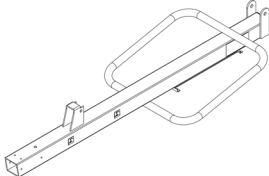
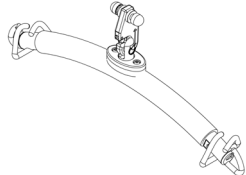
Part Code Detail

	<p>LH Leg Assembly 123905</p>
	<p>RH Leg Assembly 123906</p>
	<p>Leg Actuator Kit 123907</p>
	<p>Lift Actuator Kit 123908</p>
	<p>Mast Fixing Kit 123909</p>


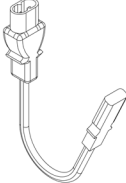

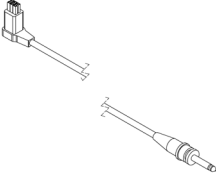

Part Code Detail

	<p>Front Castor Kit (Pair) Type 1 123910</p>
	<p>Rear Castor Kit (Pair) Type 1 123911</p>
	<p>Front Castor Kit (Pair) Type 2 123958</p>
	<p>Rear Castor Kit (Pair) Type 2 123959</p>

Part Code Detail

	<p>Essentials 180 Base Assembly 123904</p>
	<p>Essentials 180 Boom Assembly 123901</p>
	<p>Essentials 180 Carry Bar Assembly 123902</p>
	<p>Essentials 180 Mast Assembly 123903</p>
	<p>QRS Carry Bar Kit Assembly 300900</p>

Part Code Detail

	<p>Battery Pack (2.9Ah Lead Acid) 510005</p>
	<p>Mains Snap Lead 510091</p>
	<p>Charger Lead (UK Plug) 510092</p>
	<p>Lift Actuator Lead (500mm) 107088</p>
 <p>USER MANUAL</p>	<p>Essentials 180 User Manual 999051</p>

4. Notes

Notes

Notes

5. Contacts

DEALER CONTACT DETAILS

MANUFACTURER CONTACT DETAILS

Unit 1, Tir Llwyd Industrial Estate, St Asaph Avenue, Kinmel Bay,
Conwy, United Kingdom, LL18 5JZ

Telephone: +44 (0)1924 840100
www.prismmedical.co.uk

DISCLAIMER

While every effort has been made to ensure the accuracy of information contained in this manual, no liability can be accepted by Prism Medical UK for any errors or omissions. Prism Medical UK operates a policy of continuous improvement. Specifications and other data are subject to change without notice.

prism**medical**uk
a prism**healthcare** company

UK
CA



CE