

mackworth
essentials

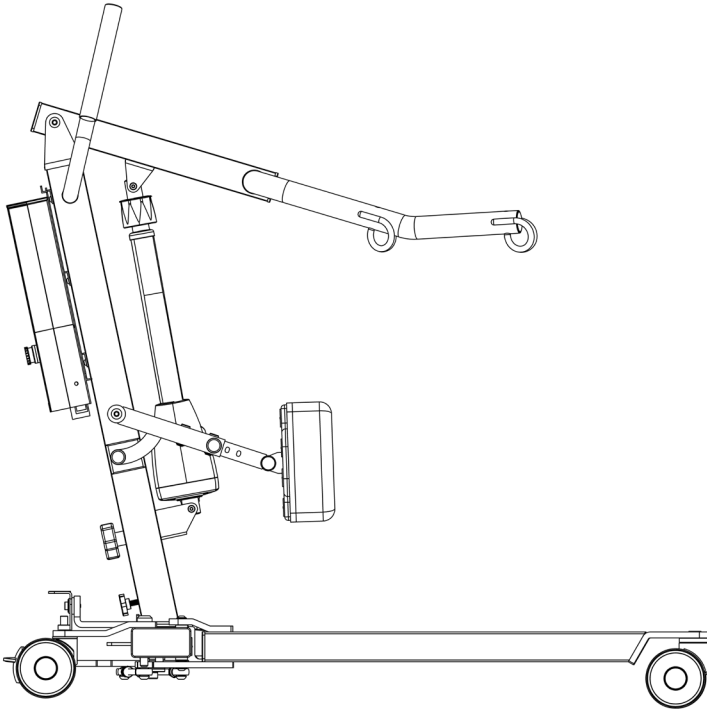
SA180E

STAND AID



SPARE PARTS MANUAL

1. Contents



Description	Page(s)
Spare Parts Summary	3
Part Code Detail	4-9
Notes	10-11
Contacts	12

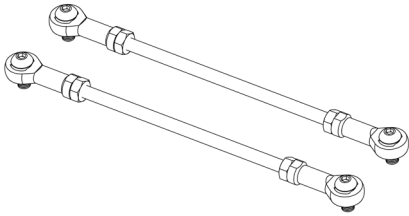

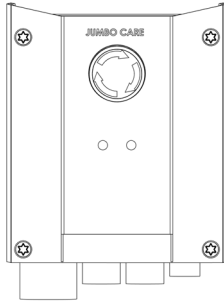
2. Spare Parts Summary

Part Code	Description
107908	Leg Rod Assembly
123103	2 Way Handset (Standard)
123107	2 Way Control Box (Standard)
107904	LH Leg Assembly
107903	RH Leg Assembly
000213	Mast Fixing Screw (Small)
000746	Mast Fixing Screw (Large)
107210	SA180E Base Assembly
107915	Lift Actuator Kit
107916	SA180E Boom Assembly
107917	SA180E Mast Assembly
107918	SA180E Kneepad Outer Pivot Assembly
107920	SA180E Kneepad Inner Pivot Assembly
107266	SA180E Kneepad Assembly
107260	SA180E Foot Tray Assembly
107901	Front Castor Kit (Pair)
107902	Rear Castor Kit (Pair)
510005	Battery Pack (2.0Ah Lead Acid)
510091	Mains Snap Lead
510092	Charger Lead (UK Plug)
107088	Lift Actuator Lead (500mm)
999064	SA180E User Manual

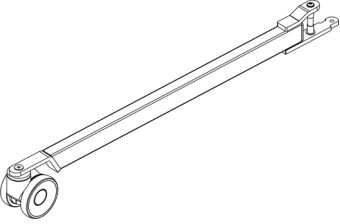
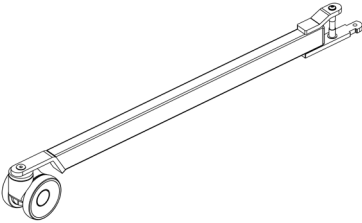
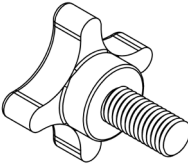
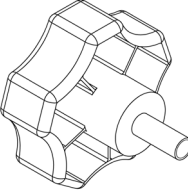
PRODUCT VARIATIONS

- 107650 - Mackworth Essentials SA180E

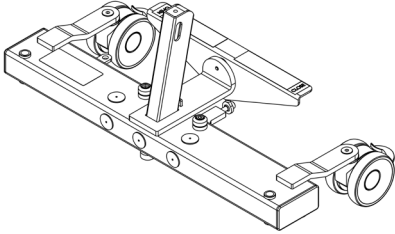
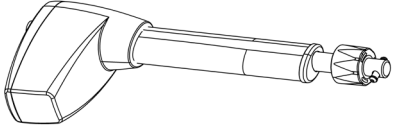
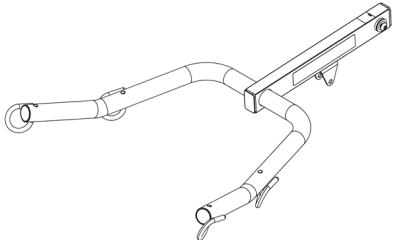
3. Part Code Detail

	<p>Leg Rod Assembly 107908</p>
	<p>2 Way Handset (Standard) 123103</p>
	<p>2 Way Control Box (Standard) 123107</p>

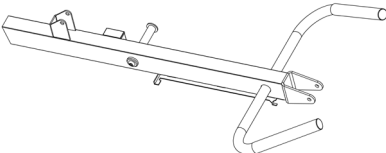
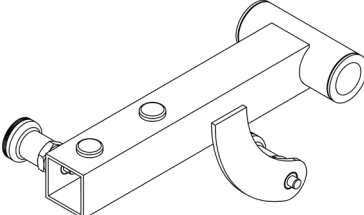
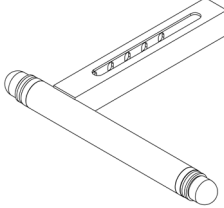
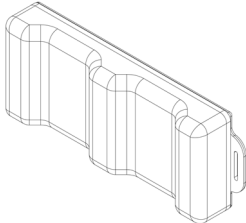
Part Code Detail

 A technical line drawing of a long, thin metal leg assembly. It features a double-track design with a roller at one end and a mounting bracket at the other.	<p>LH Leg Assembly 107904</p>
 A technical line drawing of a long, thin metal leg assembly, identical to the LH version but oriented as a right-hand part.	<p>RH Leg Assembly 107903</p>
 A technical line drawing of a small, cross-shaped mast fixing screw with a threaded shaft.	<p>Mast Fixing Screw (Small) 000213</p>
 A technical line drawing of a larger, cross-shaped mast fixing screw with a threaded shaft and a wider base.	<p>Mast Fixing Screw (Large) 000746</p>

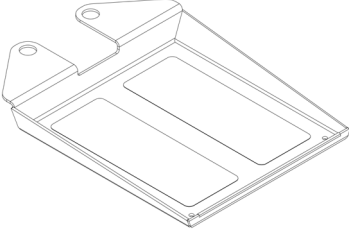
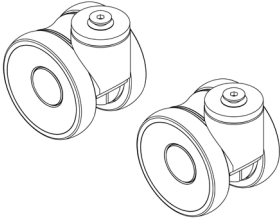
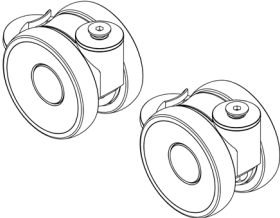

Part Code Detail

 A technical line drawing of the SA180E Base Assembly. It shows a rectangular metal base plate with several mounting holes. A vertical support structure is mounted on the base, featuring a circular component, possibly a pulley or roller, and a horizontal arm extending from the side.	<p>SA180E Base Assembly 107210</p>
 A technical line drawing of the Lift Actuator Kit. It consists of a cylindrical actuator with a handle-like shape on one end and a threaded rod with a nut and washer on the other end.	<p>Lift Actuator Kit 107915</p>
 A technical line drawing of the SA180E Boom Assembly. It shows a long, curved boom structure with a horizontal support arm at the top. The boom has several joints and mounting points, including a circular end fitting.	<p>SA180E Boom Assembly 107916</p>

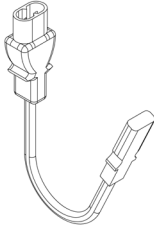

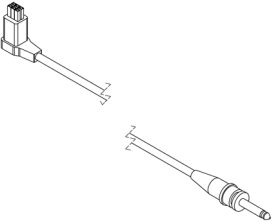

Part Code Detail

 A technical line drawing of a mast assembly, showing a long horizontal bar with various mounting brackets and a curved handle-like structure at the end.	<p>SA180E Mast Assembly 107917</p>
 A technical line drawing of a rectangular metal component with a curved bracket on one side and a cylindrical end.	<p>SA180E Kneepad Outer Pivot Assembly 107918</p>
 A technical line drawing of a long, thin rectangular component with a cylindrical end and a series of small holes along its length.	<p>SA180E Kneepad Inner Pivot Assembly 107920</p>
 A technical line drawing of a rectangular assembly with a handle on the right side and a series of vertical slots or dividers.	<p>SA180E Kneepad Assembly 107266</p>

Part Code Detail

	<p>Foot Tray Assembly 107260</p>
	<p>Front Castor Kit (Pair) 107901</p>
	<p>Rear Castor Kit (Pair) 107902</p>
	<p>Battery Pack (2.0Ah Lead Acid) 510005</p>

Part Code Detail

	<p>Mains Snap Lead 510091</p>
	<p>Charger Lead (UK Plug) 510092</p>
	<p>Lift Actuator Lead (500mm) 107088</p>
 <p>USER MANUAL</p>	<p>SA180E User Manual 999064</p>

4. Notes

Notes

5. Contacts

DEALER CONTACT DETAILS

MANUFACTURER CONTACT DETAILS

Unit 1, Tir Llwyd Industrial Estate, St Asaph Avenue, Kinmel Bay,
Conwy, United Kingdom, LL18 5JZ

Telephone: +44 (0)1924 840100
www.prismmedical.co.uk

DISCLAIMER

While every effort has been made to ensure the accuracy of information contained in this manual, no liability can be accepted by Prism Medical UK for any errors or omissions. Prism Medical UK operates a policy of continuous improvement. Specifications and other data are subject to change without notice.

prism**medicaluk**
a prism**healthcare** company

UK
CA



CE