

mackworth

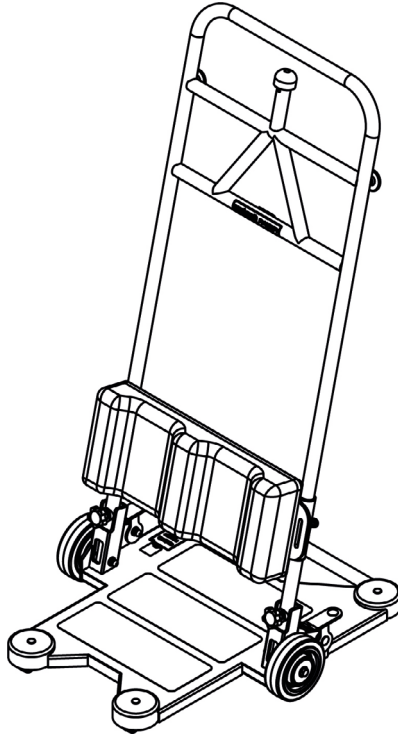
RAISER

TRANSFER AID



SPARE PARTS MANUAL

1. Contents



Description	Page(s)
Spare Parts Summary	3
Part Code Detail	4-6
Notes	7
Contacts	8

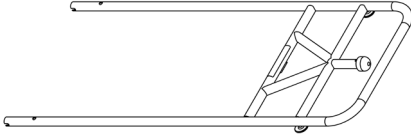
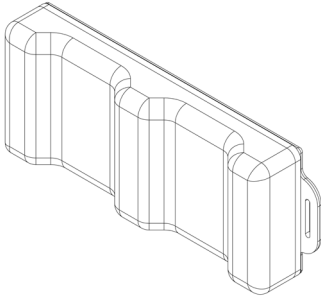
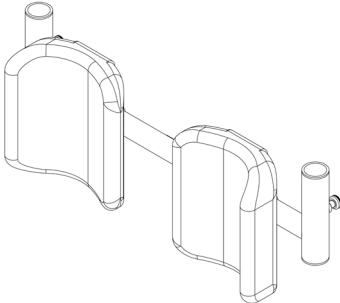
2. Spare Parts Summary

Part Code	Description
370201	Raiser Handle Assembly
370203	Single Kneepad & Bracket Assembly
370206	Dual Kneepad & Bracket Assembly
370900	Raiser Clamp Bolt Kit Assembly
370901	Raiser Castor Kit Assembly
370902	Raiser Wheel Kit Assembly
370903	Raiser Brake Kit Assembly
370904	Raiser Base Plate Kit Assembly
999061	Raiser User Manual

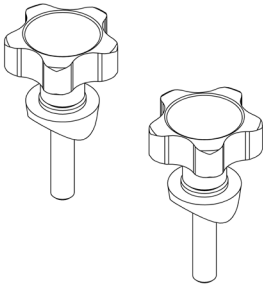
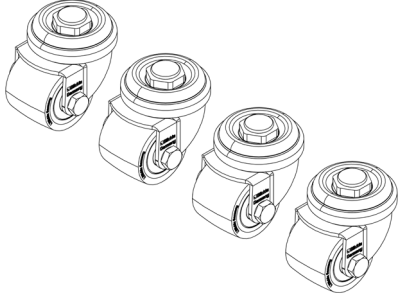
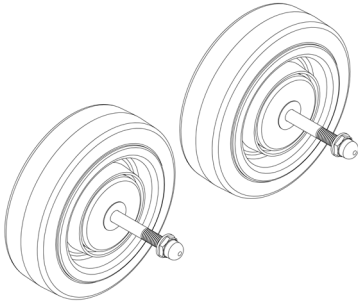
PRODUCT VARIATIONS

- 370200 - Mackworth Raiser (Single Kneepad)
- 370250 - Mackworth Raiser (Dual Kneepad)

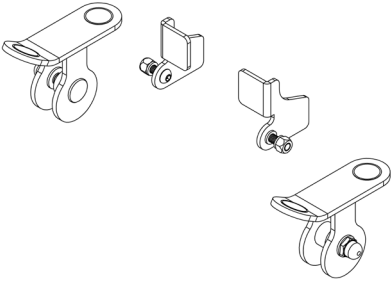
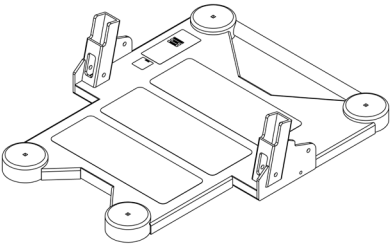

3. Part Code Detail

	<p>Raiser Handle Assembly 370201</p>
	<p>Single Kneepad & Bracket Assembly 370203</p>
	<p>Dual Kneepad & Bracket Assembly 370206</p>

Part Code Detail

	<p>Raiser Clamp Bolt Kit Assembly 370900</p>
	<p>Raiser Castor Kit Assembly 370901</p>
	<p>Raiser Wheel Kit Assembly 370902</p>

Part Code Detail

	<p>Raiser Brake Kit Assembly 370903</p>
	<p>Raiser Base Plate Kit Assembly 370904</p>
	<p>Raiser User Manual 999061</p>



4. Notes

5. Contacts

DEALER CONTACT DETAILS

MANUFACTURER CONTACT DETAILS

Unit 1, Tir Llwyd Industrial Estate, St Asaph Avenue, Kinmel Bay,
Conwy, United Kingdom, LL18 5JZ

Telephone: +44 (0)1924 840100
www.prismmedical.co.uk

DISCLAIMER

While every effort has been made to ensure the accuracy of information contained in this manual, no liability can be accepted by Prism Medical UK for any errors or omissions. Prism Medical UK operates a policy of continuous improvement. Specifications and other data are subject to change without notice.

prismmedicaluk
a prismhealthcare company

UK
CA



CE